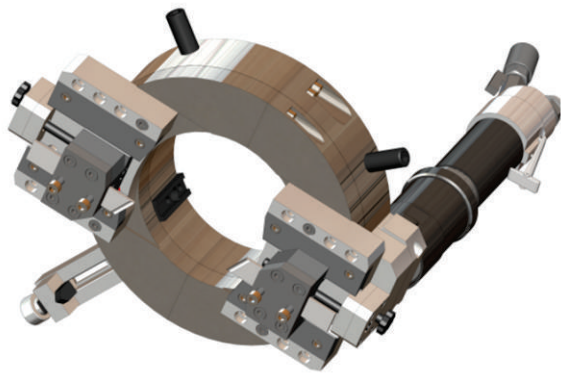
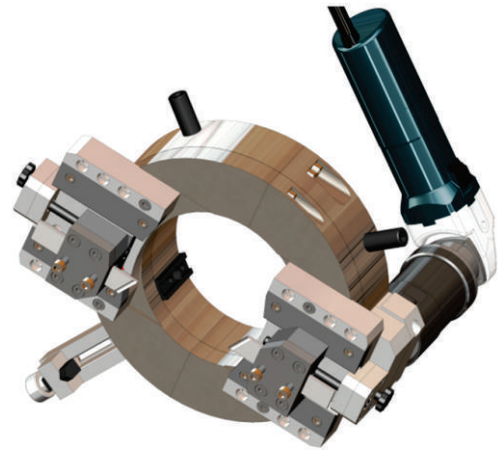


TUBE / PIPE BEVELLING AND CUTTING MACHINES



SFP-26 PNEUMATIC



SFE-26 ELECTRIC

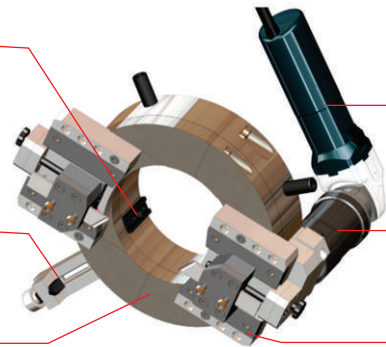
Externally mounted SF-26 is a split frame, clamshell type light and portable design. A rugged and slim machine suitable for tubes and pipes in the size range of 50.8 mm to 152.4 mm in external diameter. It is a new generation heavy duty facing, beveling and cutting machine designed for the Piping industry.

Features of the externally mounted Beveling and Cutting Machine - SF-26

JAWS - Wedge style hardened tool steel jaws for maximum life and secure positioning. 8 points of contact locking system. It provides stability and avoids vibration.

TRIP ASSEMBLY - It gives an auto feed to the tool bit assembly. Trip can be engaged or disengaged depending on feed required.

SPLIT FRAME MACHINE - It consists of a split mobile ring and fixed ring. Light weight, slim design.



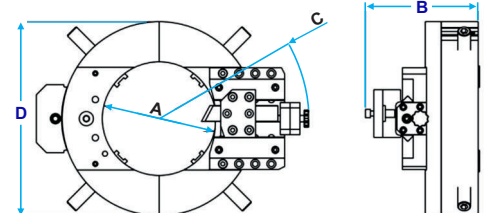
PNEUMATIC OR ELECTRIC DRIVE - High quality pneumatic or electric drive for reliable service and long working life.

PLANETARY GEAR BOX - It gives a high speed reduction with increasing torque.

TOOL SLIDE - Holds the cutting tool bit assembly tightly at the desired position for the cutting and beveling operation. Its robust construction and support to the cutting bits ensures vibration free performance.

Technical Specification

Drive		Pneumatic	Electric
Locking Range	mm (inch)	50.8 – 152.4 (2" - 6")	50.8 – 152.4 (2" - 6")
Idal Speed	RPM	33	37
Torque	Nm (lb.ft)	337 (248)	227 (204)
Pneumatic Power	HP	1.6	1.5
Air Consumption	cfm	85	-
Air Pressurer	Bar (psi)	6.2 (90)	-
Electric Power	watts	-	1100
Voltage	V	-	230 V
Machine Weight	kg (lb)	16 (35)	16 (35)
Net Weight	kg (lb)	26 (57)	28 (62)



	PNEUMATIC (mm)	ELECTRIC (mm)
A	178	178
B	176	176
C	R 234	R 234
D	304	304